

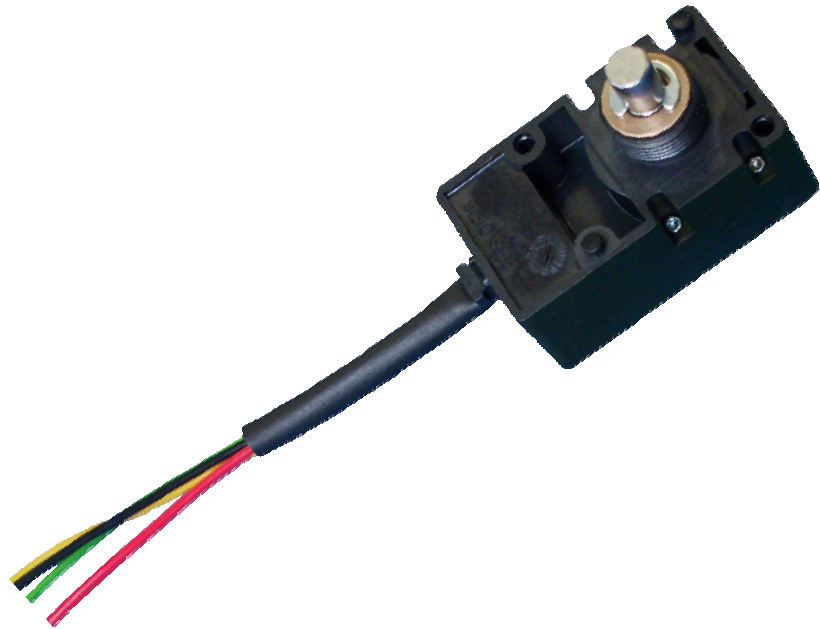
RAS Rotational Analog Sensor



The Rotational Analog Sensor (RAS) from DeltaTech Controls provides the functionality of classical potentiometers but with the advantage of contactless sensing, thereby increasing product life expectation and reliability.

The unique sensing design has been developed to provide the reliability required in demanding environmental conditions such as armrest controls and dashboards, in heavy duty and harsh industrial and off-road applications.

In addition the RAS can be reverse mounted and used as an angle sensor.



Main Features

- Contactless sensing – Hall effect
- Life greater than 5 million cycles
- Definable working angle
- Precise tactile feel (optional)
- Dual mountable:
 - contactless potentiometer
 - angle sensor
- One channel – optional second channel for redundancy
- Integrated temperature compensation
- Short circuit protection

Custom modifications

- Angle of operation
- Force of rotation
- Length of axis
- Rotational feel (smooth or ridged)
- Redundancy

Electrical Data

Supply Ratings	Voltage range DC current	9V ... 16V or 5.0 V \pm 5% 50 mA at 24V
Voltage Output	Output 1 Output 2*	0.5V ... 4.5V at 5Vcc 4.5V ... 0.5V at 5Vcc Output proportional to Vcc
Pull-down resistor	Recommendation	4.7k Ω
Total error		< 10%
Output current		1 mA max. (per output channel)
Other electrical Characteristics	EMI	> 100 V/m

Mechanical Data

Life		> 5 million cycles
Operating temperature		
- Storage		- 40°C to 85°C
- Working		- 35°C to 70°C
Protection Level		IP 65
RAS deflection angle		up to 360°

* for redundant version

RAS Rotational Analog Sensor



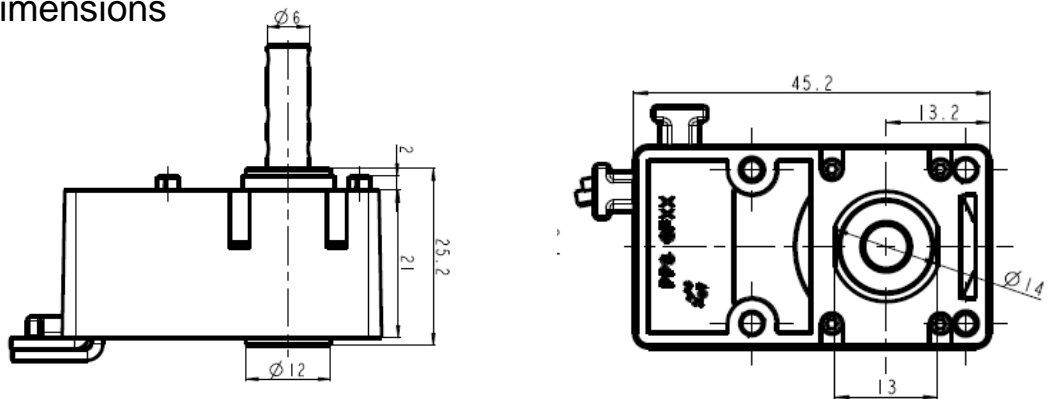
Order Code

Ordering code		1	2	3	4	5	6	7	8	9	10
	Example	RAS	P	160	xN	40.4	S	1	V	2	00
1 Type	RAS = rotational analog sensor										
2 Version	P = potentiometer AS = angle sensor										
3 Deflection Angle	160 = standard 160° x = customised x°										
4 Operation Force	xN = force of rotation depends on actuator										
5 Length of Axis	40.4 = standard 40.4 mm length of axis Ax = customised length of axis x mm										
6 Rotational Feel	S = smooth R = ridged										
7 Electrical supply	0 = voltage 9 ... 16 V 1 = 5 V ± 5%										
8 Output	V = voltage										
9 Sensors	1 = 1 sensor 2 = 2 sensors (for redundancy)										
10 Output Voltage Code	00 = output 1 / 0.5V ... 4.5V; 1mA * output 2 / 4.5V ... 0.5V; 1mA * 02 = output 1 / 0.5V ... 4.5V; 1mA * 03 = output 1 / 4.5V ... 0.5V; 1mA *										

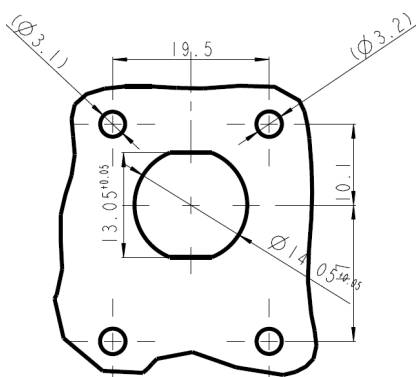
* ratiometric to 5V electrical supply

Version: Angle Sensor – Mounting (AS)

Install dimensions



Drilling template



Pin Assignment standard

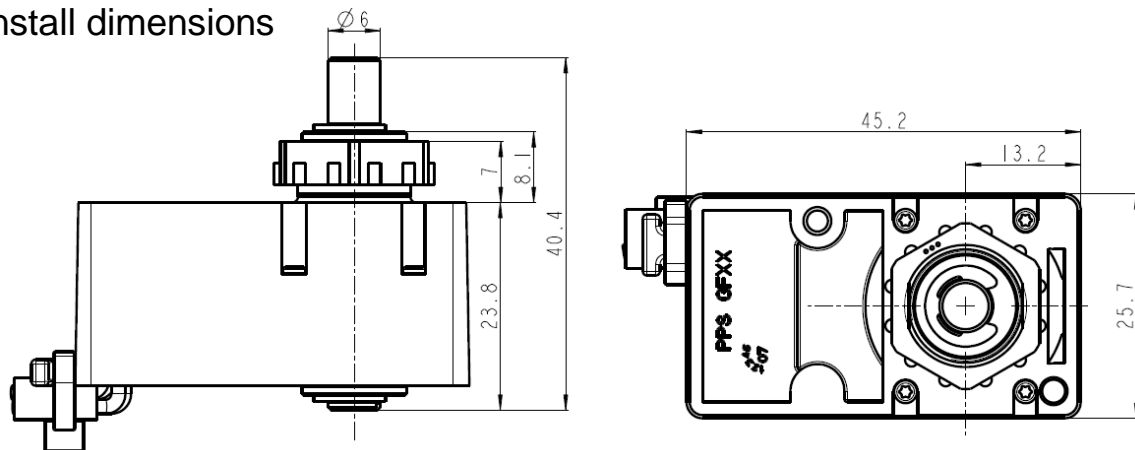
PIN	Signal	Color
1	VCC	BN
2	Out 1	WH
3	GND	GN

RAS Rotational Analog Sensor

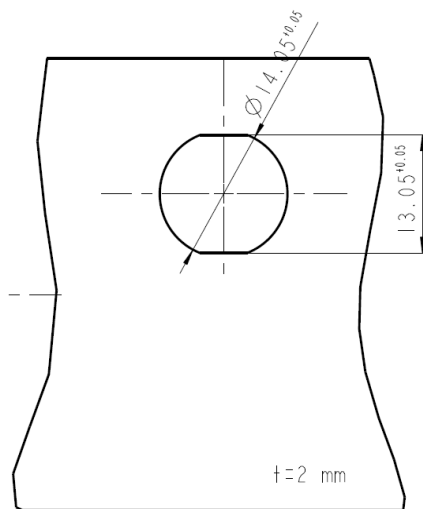


Version: Potentiometer – Mounting (P)

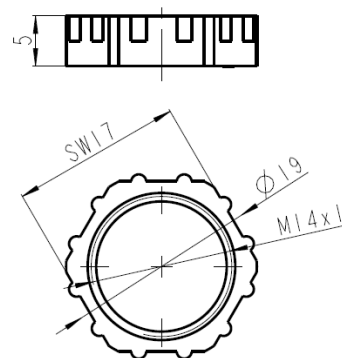
Install dimensions



Drilling template



Screw nut



Pin Assignment
redundant

PIN	Signal	Color
1	VCC	RD
2	Out 1	GN
3	Out 2	YE
4	GND	BK

RAS Rotational Analog Sensor



DeltaTech Controls – A CoActive Technologies Company - **worldwide Facilities**

With sales offices and manufacturing facilities located worldwide, please visit our website at www.deltatechcontrols.com for a complete listing and to find the office nearest to you.

Germany

Headquarter

Holzhauser Strasse 26-32

D-13509 Berlin

Germany

phone: + 49 30 43 999 0

fax: + 49 30 43 999 203

Mail: sales.dtc.europe@coactive-tech.com

France

2 Boulevard Michaël Faraday

Arlington Square, Bâtiment B

Serris – F 77716 Marne-La Vallée Cedex 4

France

phone: + 33 160 24 51 51

fax: + 33 3 84 69 08 97

Mail: sales.dtc.europe@coactive-tech.com

USA

5288 Valley Industrial Blvd. S

Shakopee, MN 55379

USA

phone: + 1 952 403 7400

fax: + 1 952 233 9707

Mail: sales.dtc.americas@coactive-tech.com

Japan

9F, Ariake Frontier Building B

3-1-25 Ariake, Koto-ku, Tokyo 135-0063

Japan

phone: + 81 3 5530 9365

fax: + 81 3 5530 8737

Mail: sales.dtc.asia@coactive-tech.com

China

3rd F. North Building

No. 239 Gangao Rd.

W.G.Q.FTZ. Pudong

Shanghai. 200131

China

phone: + 86 13810247876

fax: +86 21 3393 8281

Mail: sales.dtc.asia@coactive-tech.com

Korea

Room #503, TaeSung Building,

265-5, SeoHyun - Dong, PuDang - Gu,

SeonNam - Si, GyeonGi - Do,

Korea 463-050

phone: + 82 32 704 0347

fax: + 82 32 704 0348

Mail: sales.dtc.asia@coactive-tech.com

No information and data contained in this publication shall be construed to create any liability on the part of DeltaTech Controls GmbH. Any new issue of this publication shall automatically invalidate and supersede any and all previous issues. Dimensions are subject to change without prior notice.

All Copyrights belong to DeltaTech Controls GmbH and CoActive Technologies.
All other trademarks or registered trademarks are property of their respective owners.
All data subject to change without notice. ©2010