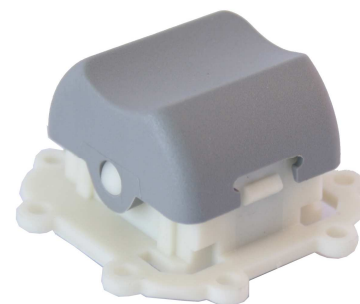


# SR3 Switch Rocker



The SR3 Switch Rockers from DeltaTech Controls have been developed to provide the reliability required in demanding environmental conditions such as multifunction grips, dashboards or armrest controls for heavy duty industrial applications.

The switching system is distinguished by its high reliability with a life expectation of at least one million operations. The rocker modules have been designed for the typical switching function in 'off-road' machinery and other rough environments.



## Main Features

- Life greater than 1 million cycles
- Precise tactile feedback of switches
- Protection Class IP65
- DTCs K12 switch technology for high reliability

## Custom modifications

- Output characteristics
- Operating force
- Switch characteristics / functions
- Actuator colour

### Electrical Data

Switching current max.	Switch 1	S1: 7 mA (1K3 Ohm)
	Switch 2	S2: 9 mA (680 Ohm)

### Mechanical Data

Life	> 1 million cycles
------	--------------------

Operating temperature	
- Storage	- 40°C to 85°C
- Working	- 35°C to 70°C

Operating force	5 N
-----------------	-----

Vertical load maximum	30 N
-----------------------	------

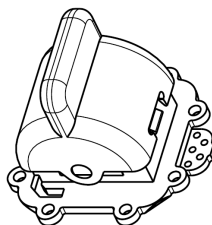
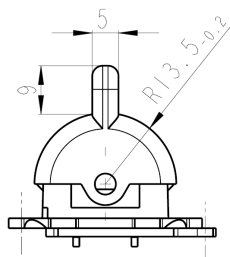
Protection Level	IP 65 (from above when mounted)
------------------	---------------------------------

Rocker deflection angle	± 12°
-------------------------	-------

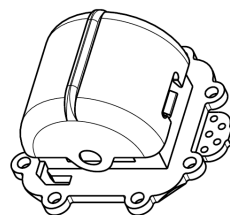
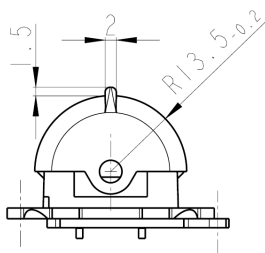
# SR3 Switch Rocker



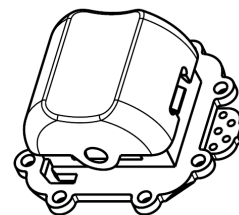
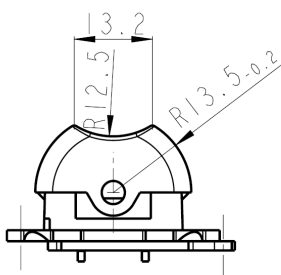
Ordering code		1	2	3	4	5	6	7
	<b>Example</b>	SR3S	01	GY	5N/5N	01	R 00	M
<b>1 Type</b>	SR3 = switch rocker 3 S = varnished PCB N = non varnished PCB							
<b>2 Actuator Shape</b>	01 = long lever 02 = short lever 05 = thumb lever							
<b>3 Actuator Colour</b>	GY = grey							
<b>4 Operation Force</b>	5N/5N = 5 N left / 5N right							
<b>5 Switch assembly</b>	01 = switch 1 (S1) K12P BK 1 5N switch 2 (S2) K12P BK 1 5N							
<b>6 Output</b>	R = resistor (Ohm)							
<b>Output configuration</b>	00 = 0 Ohm 01 = S1: 1K3 Ohm S2: 680 Ohm							
<b>7 Mechanical function</b>	M = left / right momentary (center turn position)							



Module actuator shape 01

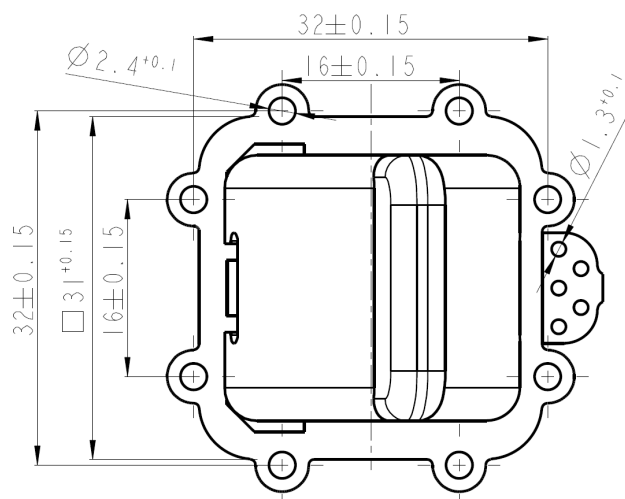
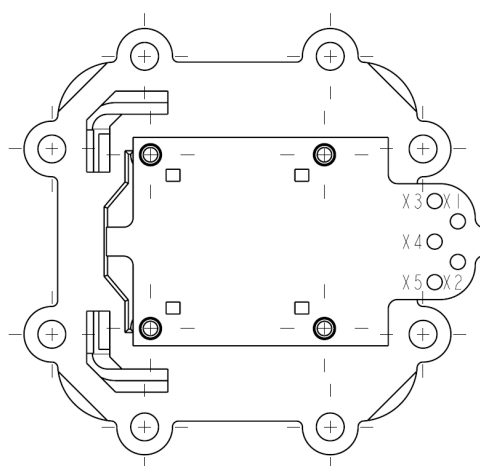
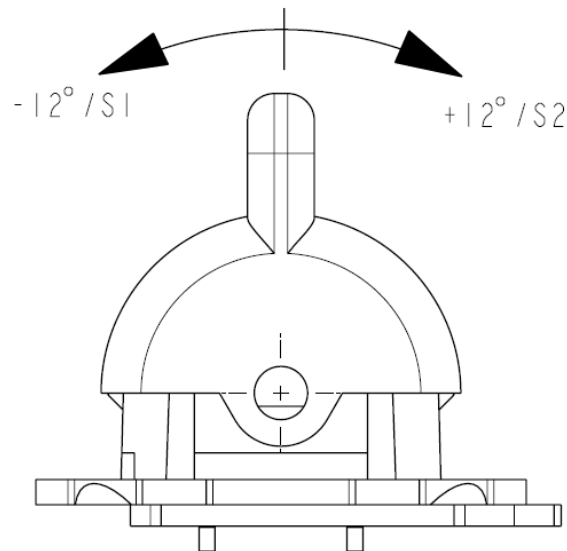


Module actuator shape 02



Module actuator shape 05

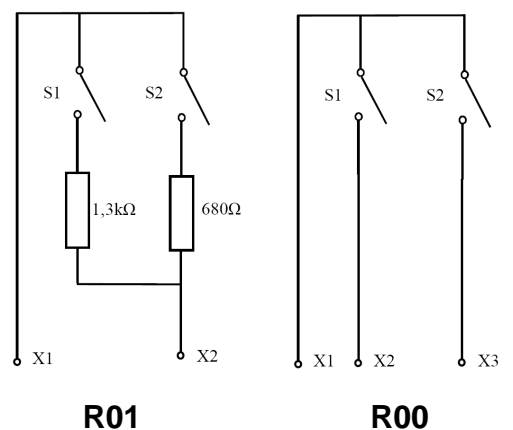
# SR3 Switch Rocker



## Pin Assignment:

PIN	ALLOCATION	FUNCTION
X5	S3_I S3_ext	RESERVED
X4	S3_VCC S3_ext	RESERVED
X3	S2_OUT	OUTPUT PUSHBUTTON S2
X2	S1_OUT	OUTPUT PUSHBUTTON S1
X1	VCC_IN	VOLTAGE SUPPLY

## Output Configuration:



# SR3 Switch Rocker



## **DeltaTech Controls – A CoActive Technologies Company - worldwide Facilities**

With sales offices and manufacturing facilities located worldwide, please visit our website at [www.deltatechcontrols.com](http://www.deltatechcontrols.com) for a complete listing and to find the office nearest to you.

### **Germany**

#### **Headquarter**

Holzhauser Strasse 26-32

D-13509 Berlin

Germany

phone: + 49 30 43 999 0

fax: + 49 30 43 999 203

Mail: [sales.dtc.europe@coactive-tech.com](mailto:sales.dtc.europe@coactive-tech.com)

### **France**

2 Boulevard Michaël Faraday

Arlington Square, Bâtiment B

Serris – F 77716 Marne-La Vallée Cedex 4

France

phone: + 33 160 24 51 51

fax: + 33 3 84 69 08 97

Mail: [sales.dtc.europe@coactive-tech.com](mailto:sales.dtc.europe@coactive-tech.com)

### **USA**

5288 Valley Industrial Blvd. S

Shakopee, MN 55379

USA

phone: + 1 952 403 7400

fax: + 1 952 233 9707

Mail: [sales.dtc.americas@coactive-tech.com](mailto:sales.dtc.americas@coactive-tech.com)

### **Japan**

9F, Ariake Frontier Building B

3-1-25 Ariake, Koto-ku, Tokyo 135-0063

Japan

phone: + 81 3 5530 9365

fax: + 81 3 5530 8737

Mail: [sales.dtc.asia@coactive-tech.com](mailto:sales.dtc.asia@coactive-tech.com)

### **China**

3rd F. North Building

No. 239 Gangao Rd.

W.G.Q.FTZ. Pudong

Shanghai. 200131

China

phone: + 86 13810247876

fax: +86 21 3393 8281

Mail: [sales.dtc.asia@coactive-tech.com](mailto:sales.dtc.asia@coactive-tech.com)

### **Korea**

Room #503, TaeSung Building,

265-5, SeoHyun - Dong, PuDang - Gu,

SeonNam - Si, GyeonGi - Do,

Korea 463-050

phone: + 82 32 704 0347

fax: + 82 32 704 0348

Mail: [sales.dtc.asia@coactive-tech.com](mailto:sales.dtc.asia@coactive-tech.com)

No information and data contained in this publication shall be construed to create any liability on the part of DeltaTech Controls GmbH. Any new issue of this publication shall automatically invalidate and supersede any and all previous issues. Dimensions are subject to change without prior notice.

All Copyrights belong to DeltaTech Controls GmbH and CoActive Technologies.  
All other trademarks or registered trademarks are property of their respective owners.  
All data subject to change without notice. ©2010