

RS & QS Switch Modules



RS

The Rocker Switch modules RS1 and RS2 are designed to be installed into front panels, multifunction grips or other switching units.

RS1

This module is standard rocker switch with a single switch function in both directions.

RS2

With the RS2 a double switch function is available in both directions.

QS

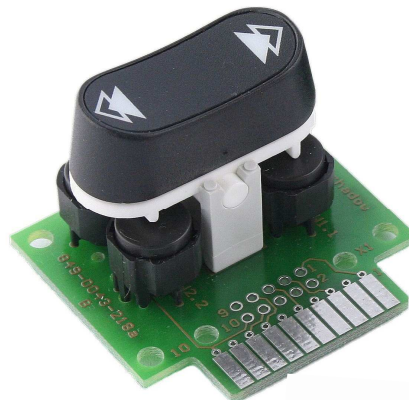
The Quadrant Switch modules QS1 and QS2 are designed to be installed into front panels, multifunction grips or other switching units.

QS1

This module is a quad switch similar to a "mirror switch" made of four K12 switches, designed for 4 switching functions (e.g. for movements in four directions: up, down, left and right).

QS2

This module is similar to the QS1 but has a double switch function and is made up with eight K12 switches allowing additional functions in each direction.



Technical Data		
Types	RS1	two K12 switches, one switching function per direction
	RS2	four K12 switches, two switching functions per direction
	QS1	four K12 switches, one switching function per direction
	QS2	eight K12 switches, two switching functions per direction
Dimensions (length, width, height)	RS	43 x 40.7 x 27.55 mm
	QS	58.9 x 43 x 27.5 mm
Operating life		> 1 million cycles
Operating temperature		- 40°C to 85°C
	- Storage	- 25°C to 85°C
	- Working	
Protection Level		IP65 (from above when mounted with extra sealing)
Main features of K12		Tactile feedback, positive snap-point (more technical details see datasheet for K12 switches)

RS & QS Switch Modules

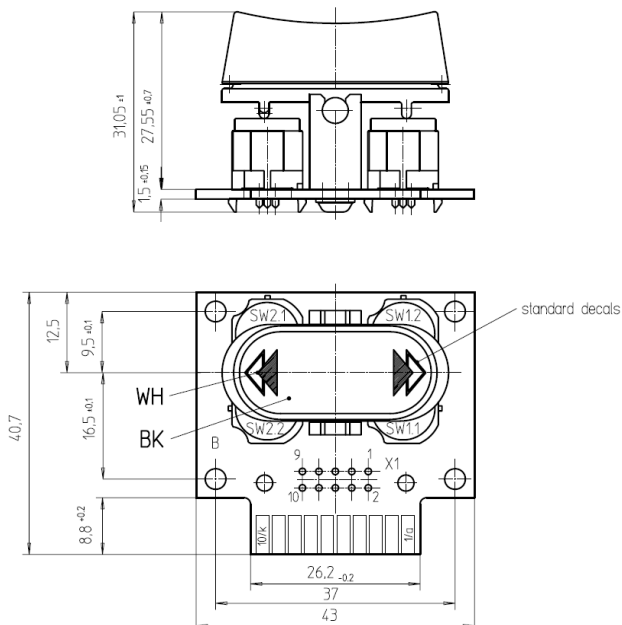


Ordering code		1	2	3	4	5
	Example	RS1	KRSA	BK	S	C
1 Type	Quadrant Switch (QS) QS 1 = four K12 switches QS 2 = eight K12 switches					
	Rocker Switch (RS) RS 1 = two K12 switches RS 2 = four K12 switches					
2 Standard cap	KQS1 = for QS KRSA = for RS					
3 Cap colour	BK = black					
4 Cap decals	N = none S = standard decals (arrows)* C... = customized					
5 Module mounted	C = standard mounted					

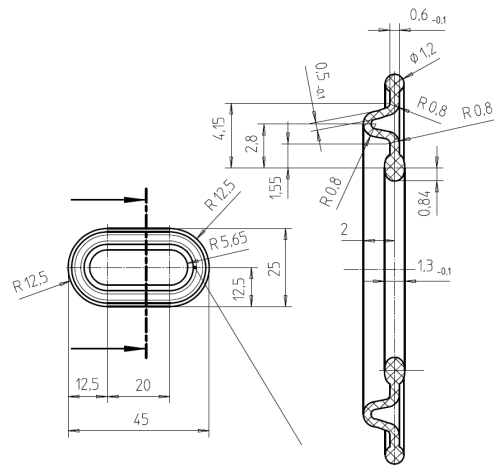
* see drawing below

Rocker Switch

Install dimensions



Sealing



PIN Assignment

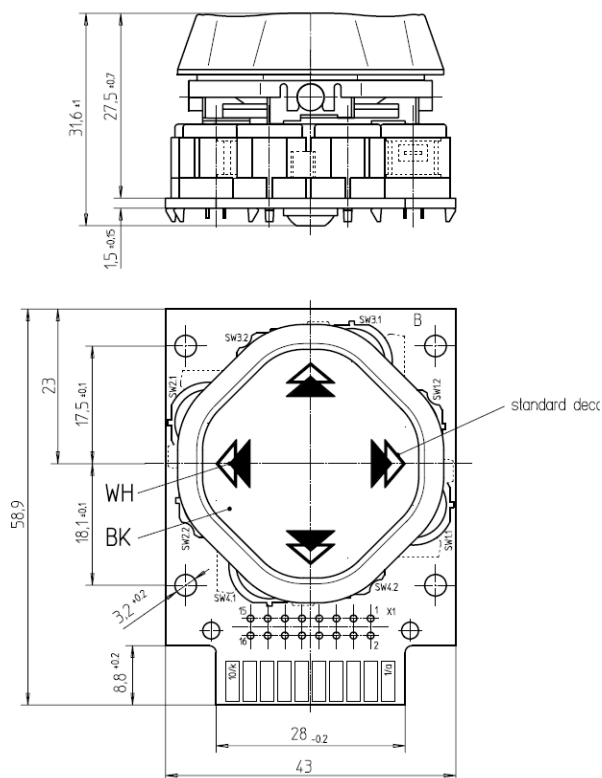
Switch No.	Connector-No.X1		Pad-Bar	
	Input	Output	Input	Output
SW1.1	1	2	1	b
SW1.2	3	4	3	d
SW2.1	7	8	7	8
SW2.2	9	10	h	10

RS & QS Switch Modules

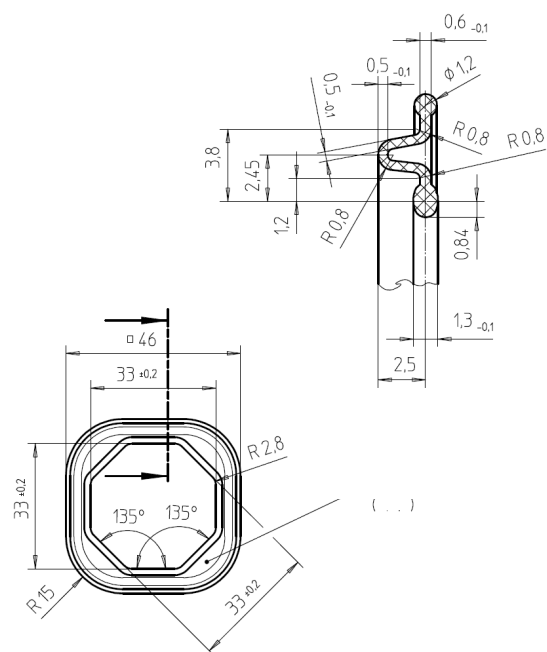


Quadrant Switch

Install dimensions



Sealing



PIN Assignment

Switch Nr.	Connector-No.X1		Pad-Bar	
	Input	Output	Input	Output
SW1.1	2	4	2	3
SW1.2	1	3	b	c
SW2.1	14	16	8	9
SW2.2	13	15	h	i
SW3.1	6	8	4	5
SW3.2	9	11	f	g
SW4.1	10	12	6	7
SW4.2	5	7	d	e

RS & QS Switch Modules



DeltaTech Controls – A CoActive Technologies Company - **worldwide Facilities**
With sales offices and manufacturing facilities located worldwide, please visit our website at www.deltatechcontrols.com for a complete listing and to find the office nearest to you.

Germany

Headquarter

Holzhauser Strasse 26-32
D-13509 Berlin

Germany

phone: + 49 30 43 999 0

fax: + 49 30 43 999 203

Mail: sales.dtc.europe@coactive-tech.com

France

2 Boulevard Michaël Faraday

Arlington Square, Bâtiment B

Serris – F 77716 Marne-La Vallée Cedex 4

France

phone: + 33 160 24 51 51

fax: + 33 3 84 69 08 97

Mail: sales.dtc.europe@coactive-tech.com

USA

5288 Valley Industrial Blvd. S

Shakopee, MN 55379

USA

phone: + 1 952 403 7400

fax: + 1 952 233 9707

Mail: sales.dtc.americas@coactive-tech.com

Japan

9F, Ariake Frontier Building B

3-1-25 Ariake, Koto-ku, Tokyo 135-0063

Japan

phone: + 81 3 5530 9365

fax: + 81 3 5530 8737

Mail: sales.dtc.asia@coactive-tech.com

China

3rd F. North Building

No. 239 Gangao Rd.

W.G.Q.FTZ. Pudong

Shanghai. 200131

China

phone: + 86 13810247876

fax: +86 21 3393 8281

Mail: sales.dtc.asia@coactive-tech.com

Korea

Room #503, TaeSung Building,

265-5, SeoHyun - Dong, PuDang - Gu,

SeonNam - Si, GyeonGi - Do,

Korea 463-050

phone: + 82 32 704 0347

fax: + 82 32 704 0348

Mail: sales.dtc.asia@coactive-tech.com

No information and data contained in this publication shall be construed to create any liability on the part of DeltaTech Controls GmbH. Any new issue of this publication shall automatically invalidate and supersede any and all previous issues. Dimensions are subject to change without prior notice.

All Copyrights belong to DeltaTech Controls GmbH and CoActive Technologies.
All other trademarks or registered trademarks are property of their respective owners.
All data subject to change without notice. ©2010