

ESM & DSM Switch Modules



The single switch module ESM and the double switch module DSM are ready-to-install units, consisting of:

- Switches:
 - K12 (for both ESM or DSM)
 - K12G (DSM only with two switching-points)
 - PVA1H4 (ESM only)
- PC board
- Rubber cap
- Optional cable or connector

The rubber cap offers the possibility to use both switch modules under severe ambient conditions where dust, water, oil, solvents etc. can effect or destroy the function of standard switches. With the rubber cap the two modules are sealed to IP 65 when mounted.

Typical Applications

- Tractors
- Harvesting equipment
- Industrial controls



Technical Data

Cap Material	Silicone rubber		
Protection Level	IP 65 (with cap when mounted)		
Cable	FLK/FLY 0.5 mm ²		
Switches	K12	(both ESM or DSM)	
	K12G	(DSM only, two switching-points)	
	PVA1H4	(ESM only)	
	Operating force	Travel (mm/inch)	Life
	K12	5 N	1 / 0.039
	K12G	3.5 / 7 N	1.5 / 0.0591
	PVA1H4	3 N	2.2 / 0.087
			3 million cycles
			30K cycles
			100K cycles

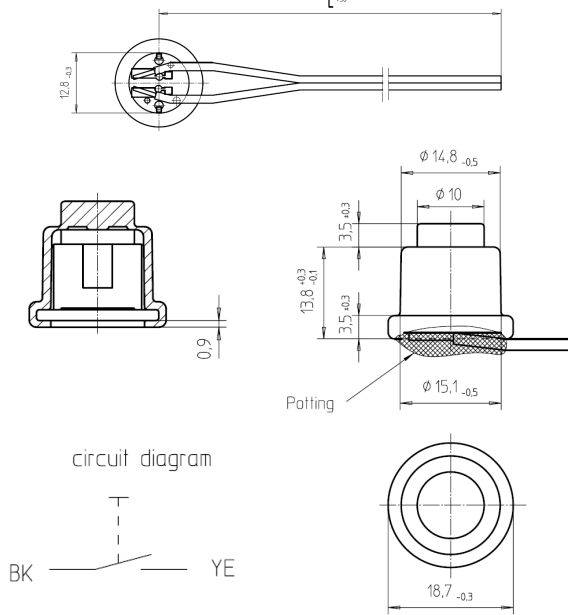
Ordering code		1	2	3	4	5	6	7
	Example	DSM	K12	1	5N	C	L130	Pu Po
1 Designation	ESM = single switch module DSM = double switch module							
2 Switch	K12 = (for ESM and DSM) K12G = with 2 switching-points (DSM only) PVA = PVA1H4 (ESM only)							
3 Travel of Switch	1 = 1 mm (K12) 1.5 = 1.5 mm (K12G) 2.2 = 2.2 mm (PVA1H4)							
4 Operating force	5N = 5 N (K12) 3.5N = 3.5 / 7 N (K12G) 3N = 3 N (PVA1H4)							
6 Cap	N = none C = with cap							
7 Cable	- = none L130 = 130 mm cable length							
8 Cap decals (DSM)*	- = none P = arrows: U (down), O (Up), L (left), R (right)							

* see drawing overleaf

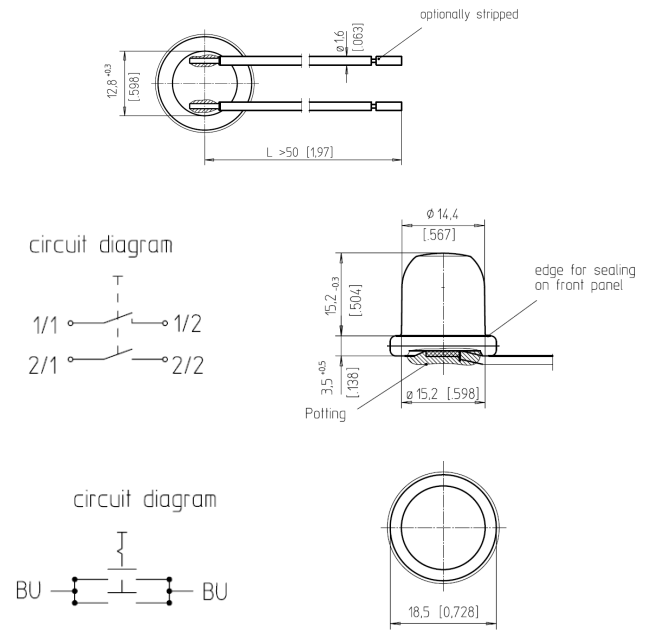
ESM & DSM Switch Modules



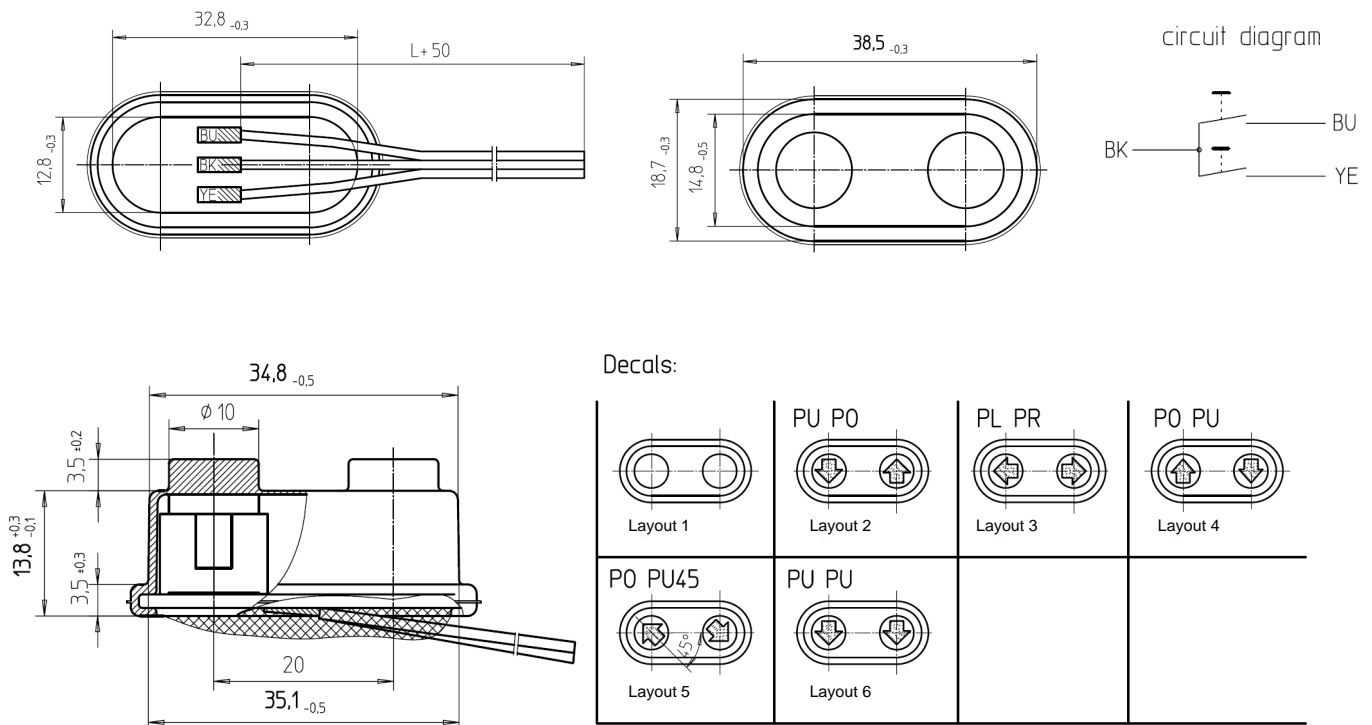
ESM single switch with K12



ESM single switch with PVA1H4



DSM double switch module with K12



ESM & DSM Switch Modules



DeltaTech Controls – A CoActive Technologies Company - worldwide Facilities

With sales offices and manufacturing facilities located worldwide, please visit our website at www.deltatechcontrols.com for a complete listing and to find the office nearest to you.

Germany

Headquarter

Holzhauser Strasse 26-32
D-13509 Berlin

Germany

phone: + 49 30 43 999 0

fax: + 49 30 43 999 203

Mail: sales.dtc.europe@coactive-tech.com

France

2 Boulevard Michaël Faraday

Arlington Square, Bâtiment B

Serris – F 77716 Marne-La Vallée Cedex 4

France

phone: + 33 160 24 51 51

fax: + 33 3 84 69 08 97

Mail: sales.dtc.europe@coactive-tech.com

USA

5288 Valley Industrial Blvd. S

Shakopee, MN 55379

USA

phone: + 1 952 403 7400

fax: + 1 952 233 9707

Mail: sales.dtc.americas@coactive-tech.com

Japan

9F, Ariake Frontier Building B

3-1-25 Ariake, Koto-ku, Tokyo 135-0063

Japan

phone: + 81 3 5530 9365

fax: + 81 3 5530 8737

Mail: sales.dtc.asia@coactive-tech.com

China

3rd F. North Building

No. 239 Gangao Rd.

W.G.Q.FTZ. Pudong

Shanghai. 200131

China

phone: + 86 13810247876

fax: +86 21 3393 8281

Mail: sales.dtc.asia@coactive-tech.com

Korea

Room #503, TaeSung Building,

265-5, SeoHyun - Dong, PuDang - Gu,

SeonNam - Si, GyeonGi - Do,

Korea 463-050

phone: + 82 32 704 0347

fax: + 82 32 704 0348

Mail: sales.dtc.asia@coactive-tech.com

No information and data contained in this publication shall be construed to create any liability on the part of DeltaTech Controls GmbH. Any new issue of this publication shall automatically invalidate and supersede any and all previous issues. Dimensions are subject to change without prior notice.

All Copyrights belong to DeltaTech Controls GmbH and CoActive Technologies.
All other trademarks or registered trademarks are property of their respective owners.
All data subject to change without notice. ©2010