

SAL Single Axis Lever Joystick



The SAL Joystick from DeltaTech Controls provides the reliability and long life required in demanding environmental conditions such as mobile equipment applications. Building on DeltaTech Controls' industry leading Hall-effect joystick technology, the SAL joystick combines flexibility with high mechanical strength. The small, robust single-axis design is ideal for the replacement of hydraulic control levers in mobile equipment applications such as construction, cranes, mining, and forestry.



Main Features

- Hall effect sensing technology
- Life > 6 million cycles
- IP 67 rated with fully potted electronics
- Options for tactile or latching detents at end of stroke
- Standard ball grip
- Redundant Hall effect sensing

Electrical Data

	Variant
Supply Ratings:	
- System Voltage	12V or 24V DC
- Voltage range	9V ... 36V DC
- Maximum current	50 mA at 12V DC
PWM Output	PW2 500 Hz \pm 80 Hz

Mechanical Data

Life	> 6 million cycles
Operating temperature	- 40°C to 85°C
Storage temperature	- 40°C to 85°C
Operating torque	Up to 2,5 Nm
Horizontal maximum load (115mm from pivot point)	890 N (200 lbs)
Vertical load maximum	890 N (200 lbs)
Protection Level	IP 67
Electronics Protection	Fully potted
Lever deflection Y max :	\pm 25°
Center position tolerance	\pm 1.5°
Weight	750g
Housing	Zinc
Boot	EPDM (black)
Cable	See install dimensions (18 AWG)

SAL Single Axis Lever Joystick



Pin Assignment

only for PWM Output

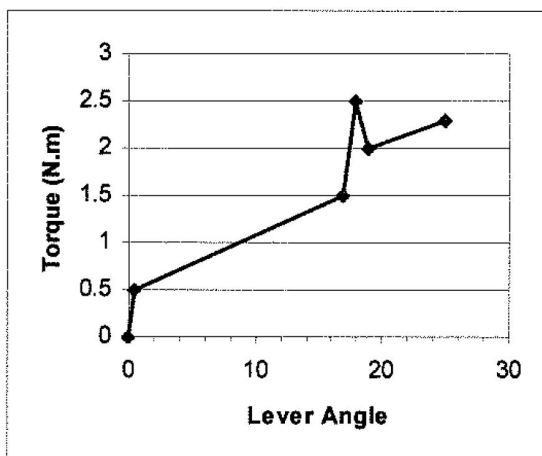
PIN	Color	Function
1	WH	Power
2	BN	Ground
3	WH/YE	PWM Signal
4	WH/VT	Calibration

Order Code

Ordering code		1	2	3	4	5
	Example	SAL	T2	PW2	-	SAL Ball
1 Type	SAL					
2 Travel	T1 = +Y: LATCH 15.5° / -Y: N/A T2 = +Y: N/A / -Y: N/A T3 = +Y: 17.5° / -Y: 17.5°					
3 Output Signal	PW2 = PWM 500 Hz ± 80 Hz					
4 Output Center Position (signal) only for Voltage Output	- = none					
5 Grip	SAL Ball = SAL Ball Grip					

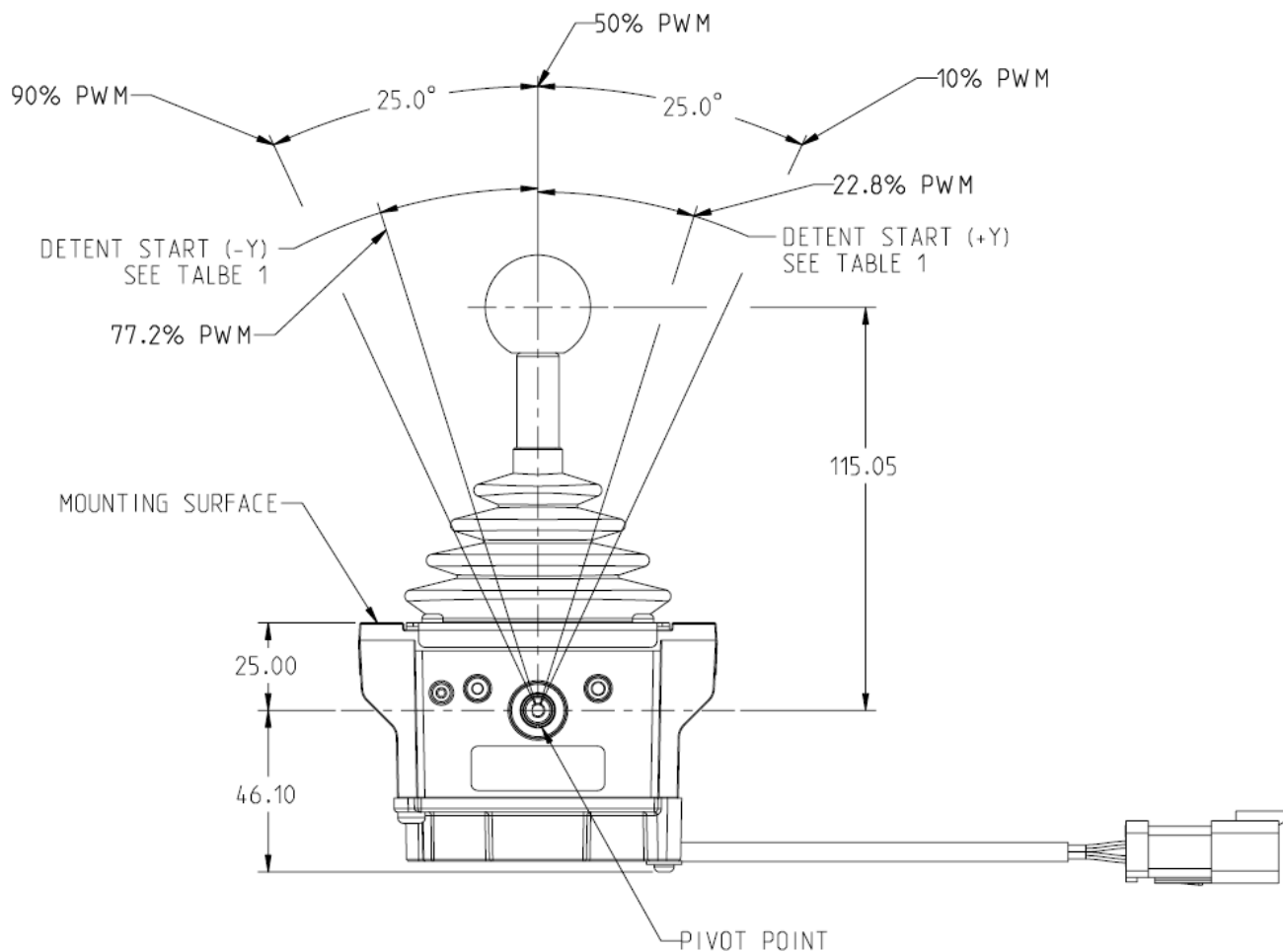
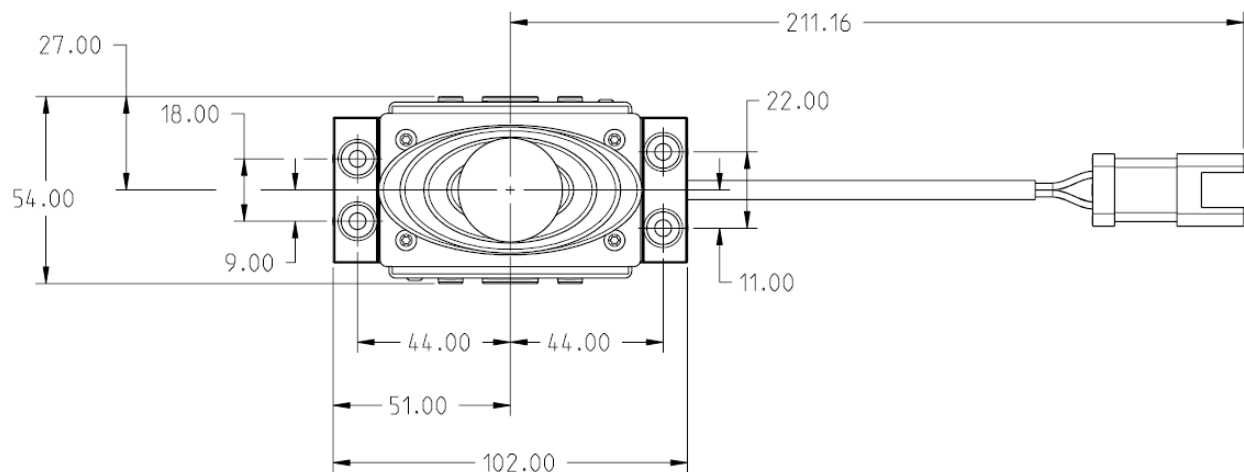
Operating torque

for version +Y: 17.5° / -Y: 17.5°



SAL Single Axis Lever Joystick

Install dimensions



SAL – Single Axis Lever



DeltaTech Controls – A CoActive Technologies Company - **worldwide Facilities**
With sales offices and manufacturing facilities located worldwide, please visit our website at www.deltatechcontrols.com for a complete listing and to find the office nearest to you.

Germany

Headquarter

Holzhauser Strasse 26-32

D-13509 Berlin

Germany

phone: + 49 30 43 999 0

fax: + 49 30 43 999 203

Mail: sales.dtc.europe@coactive-tech.com

France

2 Boulevard Michaël Faraday

Arlington Square, Bâtiment B

Serris – F 77716 Marne-La Vallée Cedex 4

France

phone: + 33 160 24 51 51

fax: + 33 3 84 69 08 97

Mail: sales.dtc.europe@coactive-tech.com

USA

5288 Valley Industrial Blvd. S

Shakopee, MN 55379

USA

phone: + 1 952 403 7400

fax: + 1 952 233 9707

Mail: sales.dtc.americas@coactive-tech.com

Japan

9F, Ariake Frontier Building B

3-1-25 Ariake, Koto-ku, Tokyo 135-0063

Japan

phone: + 81 3 5530 9365

fax: + 81 3 5530 8737

Mail: sales.dtc.asia@coactive-tech.com

China

3rd F. North Building

No. 239 Gangao Rd.

W.G.Q.FTZ. Pudong

Shanghai. 200131

China

phone: + 86 13810247876

fax: + 86 21 3393 8281

Mail: sales.dtc.asia@coactive-tech.com

Korea

Room #503, TaeSung Building,

265-5, SeoHyun - Dong, PuDang - Gu,

SeonNam - Si, GyeonGi - Do,

Korea 463-050

phone: + 82 32 704 0347

fax: + 82 32 704 0348

Mail: sales.dtc.asia@coactive-tech.com

No information and data contained in this publication shall be construed to create any liability on the part of DeltaTech Controls GmbH. Any new issue of this publication shall automatically invalidate and supersede any and all previous issues. Dimensions are subject to change without prior notice.

All Copyrights belong to DeltaTech Controls GmbH and CoActive Technologies.
All other trademarks or registered trademarks are property of their respective owners.
All data subject to change without notice. ©2011